

Features

- Low voltage protection for Main Unit, Toner Unit, and ID Caps (>6v, up to 48v)
- 8-segment LED digital display on Main Unit clearly indicates test line conditions (See "Cable Testing" at right for details)
- LED indicators on ID Caps indicate continuity with the Main Unit (or another 6v-48v DC source)
- Audible indicator in Main Unit beeps whenever the line condition changes
- Test multiple cables at once with eight ID Caps
- Bi-gender Toner Unit with removable Speed 81™ coupler
- Lightweight aluminum casings with nickel-plated brass connection points
- High quality push-button power switch with dust cover
- Auto shut-off feature conserves battery life
- Uses one standard AAA battery
- Patented Gale adapters to test virtually any wire or cable

NEVER CONNECT NX8 TO MORE THAN 48 VOLTS!

Step 1

Connect the ID Caps to the remote ends of the cables to test using the proper adapters.

Telephone



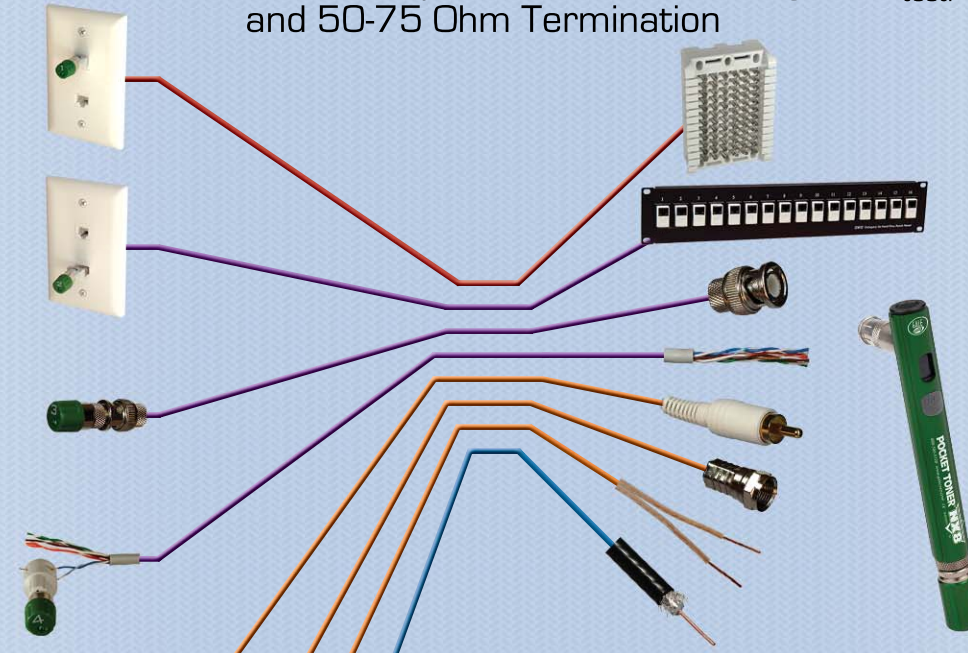
Data & Security

Cable & Audio/Video

Bare Wire

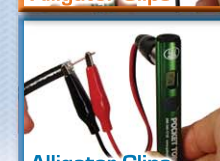
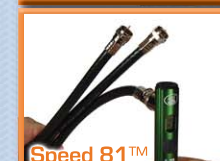
Identify and Test 8 Wires or Cables in Three Steps

Test for Continuity, Short Circuits, Voltage, and 50-75 Ohm Termination



Step 2

Turn on the NX8 Main Unit and connect it to the other ends of each of the cables to test.



Step 3

Read the digital display on the Main Unit. NX8 will emit a loud tone whenever the line condition changes. If a number 1-8 is shown, continuity is achieved with that numbered ID Cap. If voltage or a short circuit is present, NX8 will tell you. (See below)

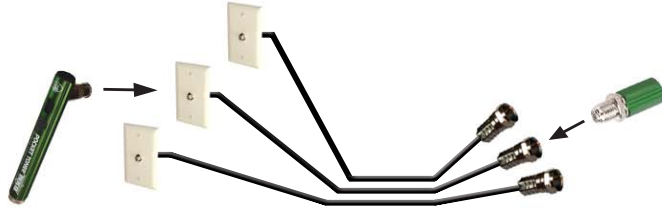
Test Result Display

Blinking [-] indicates an open circuit	Blinking [S] indicates a short	Solid [C] indicates continuity with the Toner Unit or a 50-75 Ohm terminator	A solid 1-8 number indicates continuity with one of the 8 ID caps	Blinking [V] indicates AC voltage (>6v, up to 48 volts) Solid [V] indicates DC voltage (>6v, up to 48 volts)

NEVER CONNECT NX8 TO MORE THAN 48 VOLTS!

Quickly Test Individual Coax Cables

Simply connect the Main Unit to a coax TV outlet using the provided push-on F-adapter and turn on the tool. Take the Toner Unit to the other end of the cable and quickly connect the Toner Unit to every available loose cable at the cable bundle. Continuity is indicated by a tone from the Toner Unit and a tone from the Main Unit as well as a "C" shown on the digital display.



Check for dial tone with Dial Tone Detective™

Simply plug the DTD device into a telephone jack. If there is dial tone, the LED inside will light green. If the jack is reverse wired, the LED will light red. If you attach the NX8 Toner Unit to the back of the DTD, it will emit a tone when proper dial tone is detected.



Care Instructions:

Never use your Pocket Toner® NX8 to test more than 48 volts AC or DC. Keep it dry and avoid dropping it. To replace the AAA battery, unscrew the Battery Plug, insert the positive (+) end of the battery first and replace the Battery Plug. With proper care, your Pocket Toner® NX8 will provide years of trouble-free use.

One Year Limited Warranty:

Every Gale Corporation product comes with a limited warranty for one year from the date of purchase.

For warranty service contact your distributor.

You may also get service directly from Gale Corporation by following these steps:

1. Determine if your tool is within the warranty period by inspecting the test port on the Main Unit. If the current date is not more than one year past the date printed on the tool, it is within the factory warranty period.

2. Go to the "Warranty/RMA" page in the "Support" section at www.galecorp.com and print the Return Merchandise Authorization (RMA) form. Your official RMA number will be displayed in red text on this page. Write this RMA number in the box at the top of the RMA form labeled "RMA #." Follow the instructions on the RMA form to fill it out completely.

3. Ship the Pocket Toner® Sending Unit and Toner Unit (and all 8 ID Caps if returning an NX8) and the completed RMA form to the shipping address on the RMA form. *Please do not send adapters or cases!* Include a valid receipt or proof of date of purchase, if available.

4. Within 48 hours of receipt of your package, we will evaluate your request and contact you to give you a status update, then promptly repair or replace the tool and ship it to you.



Gale Corporation

P.O. Box 417280

Sacramento, CA 95841

Phone (888) 566-5728

Fax (877) 338-1781

Web: www.galecorp.com

E-mail: info@galecorp.com